



TABLE OF CONTENTS	1
Introduction	2
Important Notice, FCC Licensing	3
LCD Display	4
Controls	4
Battery Installation	5
Installing the Belt Clip	5
Charging the Battery Pack	6
Low Battery Level Indicator	6
Operating Your Radio	7 - 13
External Speaker/Microphone Jack	13
Troubleshooting Guide	14
Use and Care	14
Specifications and Frequency Charts	15 - 16
Warranty Information	17
MIDLAND Family Products	18
Accessories	19 - 21
Accessories Order Form	23



Welcome to the world of Midland electronics

Congratulations on your purchase of a high quality MIDLAND product. Your 2-way radio represents the state-of-the-art in high-tech engineering. Designed for GMRS (General Mobile Radio Service) operation, this compact package is big in performance. It is a quality piece of electronic equipment, skillfully constructed with the finest components. The circuitry is all solid-state and mounted on a rugged printed circuit board. Your two-way radio is designed for reliable and trouble-free performance for years to come.

Features

- 22 GMRS/FRS Channel
- 121 Privacy Codes (38 CTCSS / 83 DCS)
- Waterproof IP67* Standard
- VOX
- Selectable Call Alert
- Dual Watch
- Time-Out Timer
- Out-of-Range Alert
- Monitor Function
- Roger Beep Tone
- Silent Operation
- Keypad Lock
- Channel Scan Function
- SOS Siren
- Power HI/LO Settings
- Auto Squelch
- Speaker / Microphone Jacks
- Battery Meter / Battery Low Indicator

* *Ingress of water in harmful quantity shall not be possible when the enclosure is immersed in water (up to 1 m of submersion for 30 minutes)*

This device complies with Part 15 of the FCC Rules. Operation is subject to the following two conditions : (1) this device does not cause harmful interference, and (2) this radio must accept any interference that may cause undesired operation.

To maintain compliance with FCC's RF exposure guidelines, for body-worn operation, this radio has been tested and meets the FCC RF exposure guidelines when used with Midland Radio Corp. accessories supplied or designated for this product. Use of other accessories may not ensure compliance with FCC RF exposure guidelines. (Tested with Headset Model: AVP-1)



IMPORTANT NOTICE, FCC LICENSE REQUIRED FOR GMRS OPERATION

The GXT5000 Series operates on GMRS (General Mobile Radio Service) frequencies which require an FCC (Federal Communications Commission) license. You must be licensed prior to operating on channels 1 - 7 or 15 - 22, which comprise the GMRS channels of the GXT5000 Series. Serious penalties could result for unlicensed use of GMRS channels, in violation of FCC rules, as stipulated in the Communications Act's Sections 501 and 502 (amended).

You will be issued a call sign by the FCC which should be used for station identification when operating the radio on GMRS channels. You should also cooperate by engaging in permissible transmissions only, avoiding channel interference with other GMRS users, and being prudent with the length of their transmission time.

To obtain a license or ask questions about the license application, contact the FCC at 1-888-CALL FCC or go to the FCC's website:

<http://www.fcc.gov> and request form **605**.

Exposure To Radio Frequency Energy

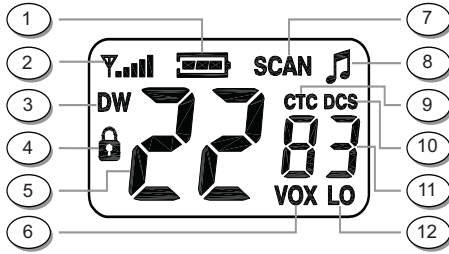
Your Midland radio is designed to comply with the following national and international standards and guidelines regarding exposure of human being to radio frequency electromagnetic energy:

- United States Federal Communications Commission, Code of Federal Regulations: 47 CFR part 2 sub-part J
- American National Standards Institute (ANSI)/Institute of Electrical & Electronic Engineers (IEEE) C95. 1-1992
- Institute of Electrical and Electronic Engineer (IEEE) C95. 1-1999 Edition
- National Council on Radiation Protection and Measurements (NCRP) of the United States, Report 86, 1986
- International Commission on Non-Ionizing Radiation Protection (ICNIRP) 1998

To control your exposure and ensure compliance with the general population or uncontrolled environment exposure limits, transmit no more than 50% of the time. The radio generates measurable RF energy exposure only when transmitting.

IMPORTANT: Changes or modifications to this unit not expressly approved by **MIDLAND RADIO CORP.** could void your right to operate this unit. Your radio is set up to transmit a regulated signal on an assigned frequency. It is against the law to alter or adjust the settings inside the COMMUNICATOR to exceed those limitations. Any adjustment to your radio must be made by qualified technicians.

LCD DISPLAY



1. **BATTERY METER** – Indicates the battery level.
2. **SIGNAL STRENGTH METER** – Indicates the transmit and receive signal strength.
3. **DUAL WATCH ICON** – Indicates the Dual Watch function is on.
4. **KEY LOCK ICON** – Indicates KEY LOCK mode is on.
5. **CHANNEL NUMBER** – Changes from 1~22 on GMRS/FRS band.
6. **VOX ICON** – Indicates when VOX mode is active.
7. **CHANNEL SCAN ICON** – Indicates when the Channel Scan function is on.
8. **ROGER BEEP ICON** – Indicates when the Roger Beep function is on.
9. **CTCSS ICON** – Indicates the radio is set with a CTCSS Privacy Code.
10. **DCS ICON** – Indicates the radio is set with a DCS Privacy Code.
11. **PRIVACY CODE** – Indicates Privacy Code selected by user (oF~38/oF~83).
12. **TRANSMIT POWER LEVEL LO ICON** – Indicates TX Power is at Lo setting.

CONTROLS



13. **ANTENNA**
14. **SOS Siren Button** – Press and hold to turn on the Siren.
15. **PTT Button** – Press and hold to transmit voice communication.
16. **MONITOR Button** – Press and hold to enter MONITOR mode.
17. **CALL Button** – Press to send a CALL Alert signal.
18. **SPEAKER** – Built-in speaker.
19. **POWER/VOLUME KNOB** – Turn clockwise to turn the power on and increase the volume level. Turn counter-clockwise to decrease the volume level and turn the power off.
20. **TRANSMIT (TX)/RECEIVE (RX) LED Indicator** – Indicates RED when the radio is in TX mode. Indicates GREEN when the radio is receiving the correct Channel and Privacy Code, or when the Privacy Code is set to OFF. Indicates ORANGE when the radio is receiving the correct channel but wrong Privacy Code.
21. **EXTERNAL SPEAKER/MIC JACK.**
22. **TRANSMIT POWER HI/LO Button** – Press to toggle between Transmit Power HI and LO.
23. **MENU Button** – Press to access Menu mode.
24. **UP ▲ and DOWN ▼ Button** – Press to make the adjustments in MENU mode.
25. **SCAN/LOCK Button** – Press to enter SCAN mode. Press and hold to turn KEY LOCK on/off.
26. **MIC** – Built-in microphone.

BATTERY INSTALLATION

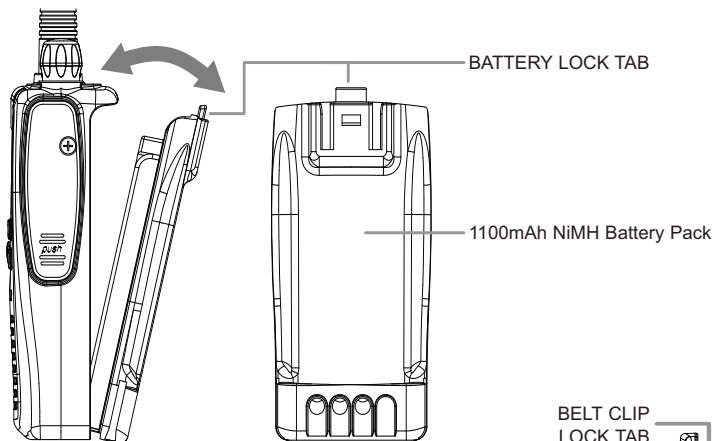
Your GXT5000 Series radio can be fitted with the 1100mAh NiMH battery pack.

To install the battery pack:

1. With the back of the radio facing you, insert the bottom part of the NiMH battery pack to the bottom of the radio.
2. Push down the NiMH battery pack into the radio until the Battery Lock Tab locks into place.

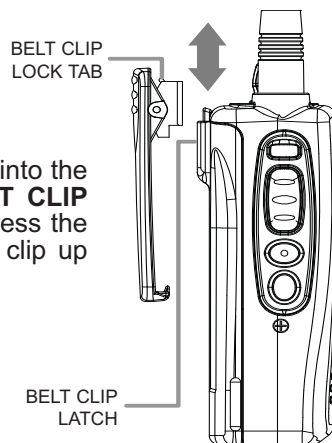
To remove the battery pack:

1. Press the Battery Lock Tab downward until the NiMH battery pack unlocks from the radio.
2. Pull the NiMH battery pack away from the radio.



INSTALLING THE BELT CLIP

To install the **BELT CLIP**, slide the clip down into the slot on the back of the radio until the **BELT CLIP LATCH** clicks. To remove the **BELT CLIP**, press the **LOCK TAB** down, then gently pull the belt clip up toward the top of the radio.



CHARGING THE BATTERY PACK

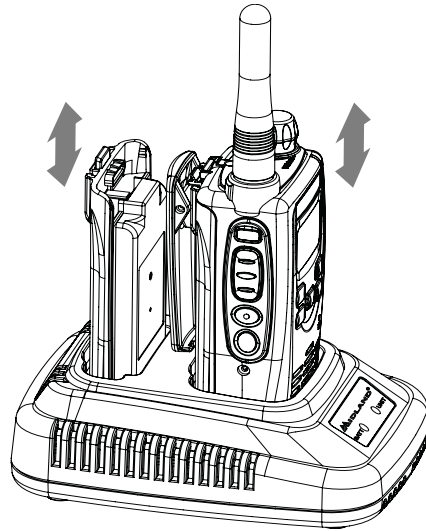
Your GXT5000 Series can be recharged using the Desktop Charger. The Desktop Charger can charge both one radio and a separate NiMH battery pack at the same time.

To charge using a Desktop Charger:



1. Insert the AC adapter plug into the desktop charger jack. Connect the AC adapter into an AC wall outlet.
2. Place the GXT5000 radio and a separate NiMH battery pack (if needed) to the appropriate charger slots as shown in the figure. The LED indicator with **RED** color will light up indicating charging function, and will change to **GREEN** color once they are fully charged.

If the NiMH battery pack is new, it is necessary to fully charge it before using it. The battery provides maximum efficiency after 3~4 full charge/recharge cycles.

- ! 1. Only use our NiMH battery pack.
- 2. Do not attempt to charge any battery packs other than the one indicated in the manual. This may cause leakage and damage to the radio.
- 3. For long term storage of the radio, turn the radio OFF and remove the batteries from the radio.



BATTERY LEVEL INDICATOR

Your GXT5000 Series has a **BATTERY LEVEL METER**  that shows the battery power level. The greater the number of bars visible, the stronger the battery level. When the battery level is low, the **Battery Shell**  icon will flash in the display indicating your batteries should be replaced or recharged.

OPERATING YOUR RADIO

POWER ON/OFF AND VOLUME

Rotate the **POWER/VOLUME** knob clockwise to turn the radio on and increase the volume level. Rotate the control counter-clockwise to reduce the volume level and to turn the radio off. During Power On, the radio will beep 2 times with different tones, the LCD will display all icons for 1 second and the LCD display will indicate the last channel selected.

CHANNEL SELECTION (GMRS/FRS BAND)

Press the **MENU** button once, and then the ▼/▲ buttons to select one of the 22 GMRS/FRS channels. To confirm the selection, press the **PTT** button or press the **MENU** button again to move to the next feature setting.

SETTING PRIVACY CODES

Your GXT5000 Series has 121 **Privacy Codes** available which can be used on channels 1~22. The selected **Privacy Code** may be different for each channel. To select a **Privacy Code** for the current channel press the **MENU** button twice, and the ▼/▲ buttons to select one of the 38 **CTCSS Codes**. Press the **MENU** button three times, and the ▼/▲ button to select one of the 83 **DCS Codes**.

The **CTCSS** or **DCS** icon will appear on the display to show your Privacy Code selection. To confirm the selection, press the **PTT** button or press **MENU** button again to move to the next feature setting.

! **Note :** If you select any **CTCSS** Privacy Code, any pre-selected **DCS** Privacy Code will be cancelled and vice-versa. Selecting a Privacy Code of "oF" will disable the Privacy feature. To communicate between two GXT5000 Series radios, all radios in your group must be set to the same channel and Privacy Code selections.

TRANSMITTING AND RECEIVING A CALL

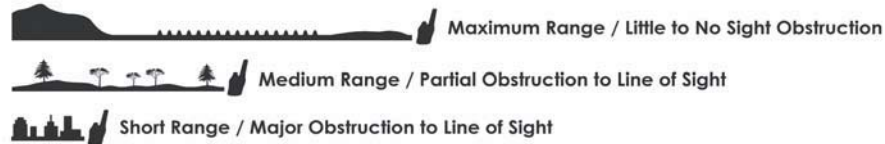
To communicate, all radios in your group must be set to the same channel and Privacy Code.

1. For maximum clarity, hold the radio 2 to 3 inches from your mouth.
2. Press and hold the **PTT** button and speak in a normal voice into the **microphone**. The **TX/RX LED Indicator** will light up **RED** while transmitting. The **Signal Strength Meter** will also appear and show the current TX power level setting.

3. To receive a call, release the **PTT** button. The **TX/RX LED Indicator** will light up **GREEN** when your radio is receiving a transmission with correct channel and Privacy Code. The **TX/RX LED Indicator** will light up **ORANGE** when your radio is receiving a transmission with correct channel but wrong Privacy Code.

ABOUT RANGE

Your GXT5000 Series radios are designed to give you maximum range under optimum conditions.



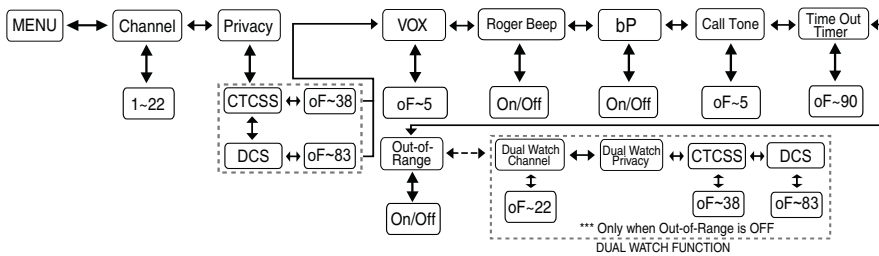
Optimum Conditions are:

- Over water
- Open rural areas without obstructions
- Flat areas where you can see the other person

To ensure you get maximum range:

- Be sure to use fresh or fully charged batteries - low batteries will cause low power conditions
- Be sure you are on a GMRS channel - FRS channels are restricted by the FCC to low power
- Be sure to set your radio to use Hi power.

GXT5000 SERIES QUICK REFERENCE CHART



SOS SIREN

To activate the **SOS SIREN** function, press and hold the **SOS SIREN** button for 2 seconds. The display will show “**SOS**” blinking, and the radio will send out a loud siren sound. To deactivate the **SOS SIREN** function press the **PTT** button twice.

! ***Warning: The SOS Siren is to be used only in the event of an emergency. Midland Radio Corporation is not responsible if there is no response to the SOS Siren.***

MONITOR

Pressing and holding the **MONITOR** button for around 3 second will let you hear noise so you can adjust the volume level of the radio when not receiving a signal. This should be used to check activity on your current channel before transmitting.

Press and hold the **MONITOR** button for 3 second again to get out of **MONITOR** mode.

CALL ALERT

Your GXT5000 Series can transmit a call alert for a fixed length of time. To send a call alert, press the **CALL** button. The **TX/RX LED Indicator** will light up **RED** while transmitting a call alert and a tone can be heard on the speaker for confirmation.

! ***Note : The GXT5000 radio does not support the Vibrate Alert function of other Midland GMRS/FRS radios. If you send a Call Alert signal to other radios with Vibrate Alert function the receiving radios will not Vibrate and only the Call Tone will be heard on the speaker.***

TRANSMIT (TX) POWER LEVEL SELECTION

Your GXT5000 Series has 2 power level settings. To select the power level on channels 1~7, 15~22 press the **TRANSMIT POWER HI/LO** button to toggle between **HI** and **LO** power.

When the TX power level is set to **HI** mode then the **Signal Strength Meter** will indicate **▾.■■■■** during transmission.

When the TX power level is set to **LO** mode then the **Signal Strength Meter** will indicate **▾.■** during transmission.

If the Battery Meter drops to 1 bar, the TX Power will automatically switch from HI to LO level.

! ***Note : You cannot adjust the power setting on the FRS channels (8~14). They are set to Low power per FCC regulations.***

SCAN

Your GXT5000 Series can scan all 22 channels for activity. To enter, quickly press the **SCAN/LOCK** button. Repeat the same procedure to exit. Your radio will rapidly scan each of the 22 channels and stop on any active channel. Your radio will resume scanning after 4 seconds when the channel is no longer active. The **CHANNEL SCAN** icon will also appear on the display.

When you press the **PTT** button to transmit on an active channel, the scanning function will stop and remain on the active channel for 5 seconds before resuming scan when **PTT** button is no longer pressed.

To resume scanning, quickly press the **▼/▲** button.

KEYPAD LOCK

To avoid accidentally changing the radio setting, press the **SCAN/ LOCK** button for 2 seconds. The **KEY LOCK** icon will appear on the display. **PTT**, **SOS**, **MONITOR**, and **CALL** buttons will still be active. Repeat the same procedure to unlock the keypad.

DISPLAY ILLUMINATION

During Power on, the display illumination will activate for approx. 5 seconds. The display illumination can also be activated when the **MENU**, **TRANSMIT POWER HI/LO**, and **SCAN/LOCK** buttons are pressed.

VOX (Hands-free Transmission)

Your radio has 5 VOX level settings: (**oF/1~5**).


To set **VOX** on, press the **MENU** button until the display shows "**VOX**" blinking while on the right of the **CHANNEL NUMBER** display, an "**oF**" icon appears. Select "**1~5**" by pressing the **▼/▲** buttons and push the **PTT** key, or press **MENU** button again to move to the next feature setting.

VOX will be more sensitive on the "**1**" setting than on the "**5**" setting.

To turn **VOX** off, press the **MENU** button until the display shows "**VOX**" blinking while on the right of the **CHANNEL NUMBER** display, a "**1~5**" icon appears. Select "**oF**" by pressing the **▼/▲** buttons and push the **PTT** key, or press **MENU** button again to move to the next feature setting.

ROGER BEEP (end of transmission) TONE

When the **PTT** button is released, the radio will beep to confirm to other users that your transmission has finished.

To turn the **ROGER BEEP** tone on, press the **MENU** button until the  icon appear on the display, while on the right an "**oF**" icon appears.

Select “**on**” by pressing the ▼/▲ buttons and push the **PTT** key, or press **MENU** button to move to the next feature setting.

To turn the **ROGER BEEP** tone off, press the **MENU** button until the 🎵 icon appear on the display, while on the right an “**on**” icon appears. Select “**oF**” by pressing the ▼/▲ buttons and push the **PTT** key, or press **MENU** button to move to the next feature setting.

SILENT OPERATION

Your GXT5000 Series has a **SILENT OPERATION** mode. In this mode, all “beeps” and “tones” are disabled.

To turn the **SILENT OPERATION** mode on, press the **MENU** button until the display shows an “**bP**” icon while on the right of the “**bP**” display, an “**on**” icon appears. Select “**oF**” by pressing the ▼/▲ buttons and push the **PTT** key or **MENU** button.

To turn the **SILENT OPERATION** mode off, press the **MENU** button until the display shows an “**bP**” icon while on the right of the “**bP**” display, an “**oF**” icon appears. Select “**on**” by pressing the ▼/▲ buttons and push the **PTT** key or **MENU** button.

CALL ALERT SELECTION

Your GXT5000 Series has 5 selectable **CALL ALERTS**. To select, press the **MENU** button until a “**CA**” icon appears and to the right of the “**CA**” icon the current **CALL ALERT** setting is displayed. Then press the ▼/▲ buttons to make the **CALL ALERT** selections, the radio will emit a corresponding tone for each selection. To confirm, press the **PTT** button or press **MENU** button to move to the next feature setting.

TIME OUT TIMER

Your GXT5000 has a **TIME OUT TIMER** function to limit the time you can transmit continuously. To select, press the **MENU** button until a “**to**” icon appears on the display, and to the right an “**oF**” icon appear. Then press the ▼/▲ buttons to select the **TIME OUT** time between “**15**”, “**30**”, “**45**”, “**60**”, and “**90**” seconds. To confirm, press the **PTT** button or press **MENU** button to move to the next feature setting.

When **TIME OUT TIMER** function is on, the radio will automatically stop transmitting once you reached the selected **TIME OUT** time and go to standby or receive mode until you release the **PTT** button and press it again to resume transmission.

OUT-OF-RANGE ALERT

Your GXT5000 has a **OUT-OF-RANGE ALERT** function to indicate whether two GXT5000 radios are within usable range. To turn on the **OUT-OF-RANGE ALERT** function press the **MENU** button until an “**oU**” icon appears on the display, and to the right an “**oF**” icon appear. Select “**on**” by pressing the **▼/▲** buttons. To confirm, press the **PTT** button or press **MENU** button to move to the next feature setting.

*The **OUT-RANGE ALERT** setting of both the transmitting and receiving radios must be on for this function to work properly.*

When the **OUT-OF-RANGE ALERT** function is on, the radio will automatically transmit an **OUT-OF-RANGE** code every 3 minutes. If another GXT5000 radio (with **OUT-OF-RANGE** function on and within usable range) receives the tone, it will automatically reply by sending a confirmation code to the transmitting radio. This cycle will continue every 3 minutes.

If the transmitting radio does not receive a confirmation code (the receiving GXT5000 radio's **OUT-OF-RANGE** function is off and/or outside its usable range) then the transmitting GXT5000 Series radio will “beep” every 20 seconds and the **ANTENNA** **▼** icon will continue to blink until it receives a correct confirmation code.

If the GXT5000 beep and tone is disabled (see **SILENT OPERATION**) and it is outside the usable range, then it will **not** “beep” every 20 seconds and only the **ANTENNA** **▼** icon will continue to blink until it receives a correct confirmation code.

To turn off the **OUT-OF-RANGE ALERT** function press the **MENU** button until an “**oU**” icon appears on the display, and to the right an “**on**” icon appear. Select “**oF**” by pressing the **▼/▲** buttons.

To confirm, press the **PTT** button or press **MENU** button to move to the next feature setting.

DUAL WATCH FUNCTION

Your GXT5000 Series has a **DUAL WATCH** function, to enable user to scan 2 channels for any activity. The first channel will be the current channel setting and the second channel will be the selected channel on the **MENU**.

To turn the **DUAL WATCH** on, press the **MENU** button until the “**DW**” icon appears blinking on the left of the display, while the “**oF**” icon appears on the display. Select the second channel by pressing the **▼/▲** button. Press again the **MENU** and the **▼/▲** button to choose the **CTCSS Privacy Code (oF ~ 38)**, or press again the **MENU** and **▼/▲** button to set the **DCS Privacy Code (oF~83)**.

Pls. note that the DUAL WATCH function is only available as a MENU selection if the OUT-OF-RANGE is turned off.

To confirm, press the **PTT** button or press **MENU**.

The “**DW**” icon will appear all the same time to signify that the **DUAL WATCH** function is on and the radio will start to scan both the current channel/code-in-use and the selected channel/code. It will stop scanning on a channel if either is active. Your radio will resume scanning after 4 seconds when the channel is no longer active.

When you press the **PTT** button to transmit on an active channel, the scanning function will stop and remain on the active channel for 5 seconds before resuming scan when **PTT** button is no longer pressed.

To resume scanning, quickly press the **▼/▲** button.

To turn the **DUAL WATCH** function off, press the **SCAN** button.



Please note that the DUAL WATCH function is only available as a MENU selection if the OUT-OF-RANGE is turned off.

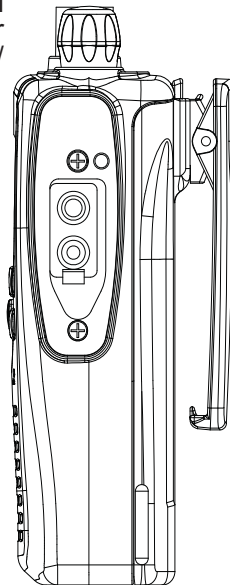
EXTERNAL SPEAKER/MICROPHONE JACK

Your GXT5000 Series can be used with an optional external speaker/ microphone or headset, freeing your hands for other tasks. To use an optional speaker/ microphone or headset:

- Cover must first be removed. Loosen the screw and remove the Cover.
- Insert the plug(s) into the **SPK/MIC** jacks
- Place the earbud into your ear, and adjust the mic into your desired position.



Note : The radio will no longer be water proofed when the accessory jack cover is removed.



TROUBLESHOOTING GUIDE

PROBLEM	SOLUTION
No Power	- Check battery installation and/or replace batteries
Cannot Receive Messages	- Confirm the radios have the same channel and Privacy Code settings. - Make sure that you are within range of the other transceivers. - Buildings and other structures may interfere with your communication. (See ABOUT RANGE on Page 8)
Radio is not responding to button presses	- Make sure key lock is not on. See "Keypad Lock" (Page 10). - Radio might need to be reset. Turn radio off then on. - Ensure accessory microphone is set properly
Display is dim	- Recharge or replace batteries.
Charger not functioning	- Contacts on the bottom of the radio may require cleaning. - Ensure the outlet where the charger is plugged into is functioning properly. - Check that the battery pack is installed in the radio properly.

USE AND CARE

1. Use a soft damp cloth to clean the radio
2. **Do not** use alcohol or cleaning solutions to clean the radio.
3. Dry the radio with dry lint-free cloth should it get wet.
4. Turn off the radio and remove the batteries during long-term storage.

If you have a problem which you believe requires service, please call first and speak with a service technician. Many problems can be remedied over the phone without returning the unit for service.

GENERAL SPECIFICATION

Channels	22	15 GMRS and 7 FRS channels
Frequency Generation	-	PLL synthesizer
Frequency range	MHz	From 462.5500 to 467.7125MHz
Antenna Type		"Rubber ducky" in rubber
Rated power supply	Vdc	From 4.5 to 7.2Vdc
Operating temperature	°C	From -30° to +60°
Size (HxLxD with antenna)	mm	113 x 54 x 35
Weight (without battery)	g	180
TRANSMITTER		
Output power (ERP)	W	0.5
Type of circuit	-	FM
Suppression of spurious signals	-	Compliant with TIA/EIA-603-B
RECEIVER		
Sensitivity at 12dB SINAD	uV	Above 0.25
Audio output power (10% THD)	W	1
Spurious signals rejection	dB	50
Medium Frequencies	MHz	First 21.4
	kHz	Second 450
CONNECTIONS		
Connection for external microphone	-	2.5mm stereo jack
Connector for external speaker	-	3.5mm mono jack

GMRS/FRS FREQUENCY CHART (MHz)

CH. No	CH. Freq.	CH. No	CH. Freq.	CH. No	CH. Freq.
1	462.5625	9	467.5875	17	462.6000
2	462.5875	10	467.6125	18	462.6250
3	462.6125	11	467.6375	19	462.6500
4	462.6375	12	467.6625	20	462.6750
5	462.6625	13	467.6875	21	462.7000
6	462.6875	14	467.7125	22	462.7250
7	462.7125	15	462.5500		
8	467.5625	16	462.5750		

* Channels 8~14 are low-power FRS license free channels



CTCSS PRIVACY CODES FREQUENCY CHART (Hz)

Code	Freq.	Code	Freq.	Code	Freq.	Code	Freq.	Code	Freq.
1	67.0	9	91.5	17	118.8	25	156.7	33	210.7
2	71.9	10	94.8	18	123.0	26	162.2	34	218.1
3	74.4	11	97.4	19	127.3	27	167.9	35	225.7
4	77.0	12	100.0	20	131.8	28	173.8	36	233.6
5	79.7	13	103.5	21	136.5	29	179.9	37	241.8
6	82.5	14	107.2	22	141.3	30	186.2	38	250.3
7	85.4	15	110.9	23	146.2	31	192.8		
8	88.5	16	114.8	24	151.4	32	203.5		

Note: Privacy codes can be programmed for use on Channels 1~22

DCS PRIVACY CODE CHART

No.	CODE	No.	CODE	No.	CODE
1	023	29	174	57	445
2	025	30	205	58	464
3	026	31	223	59	465
4	031	32	226	60	466
5	032	33	243	61	503
6	043	34	244	62	506
7	047	35	245	63	516
8	051	36	251	64	532
9	054	37	261	65	546
10	065	38	263	66	565
11	071	39	265	67	606
12	072	40	271	68	612
13	073	41	306	69	624
14	074	42	311	70	627
15	114	43	315	71	631
16	115	44	331	72	632
17	116	45	343	73	654
18	125	46	346	74	662
19	131	47	351	75	664
20	132	48	364	76	703
21	134	49	365	77	712
22	143	50	371	78	723
23	152	51	411	79	731
24	155	52	412	80	732
25	156	53	413	81	734
26	162	54	423	82	743
27	165	55	431	83	754
28	172	56	432	-	-

Note: Privacy codes can be programmed for use on Channels 1~22

Model GXT5000 Series



LIMITED WARRANTY

Midland Radio Corporation will repair or replace, at its option without charge, any Midland FRS/GMRS transceiver which fails due to a defect in material or workmanship within FIVE Years following the initial consumer purchase. This warranty does not apply to battery leak or abuse.

Accessories have a 90 day warranty from date of purchase, including any antennas, chargers, or earphones. This warranty does not include the cost of labor for removal or re-installation of the product in a vehicle or other mounting. Performance of any obligation under this warranty may be obtained by returning the warranted product, prepaid freight, along with proof of purchase to:

**Midland Radio Corporation
Warranty Service Department
5900 Parretta Drive
Kansas City, MO 64120**

This warranty gives you specific legal rights, and you may also have other rights, which vary from state to state.

Note : The above warranty applies only to merchandise purchased in the United States of America or any of the territories or possessions thereof, or from a U.S. Military exchange.

**Midland Radio Corporation
5900 Parretta Drive
Kansas City, MO 64120
Tel: (816) 241-8500
E-mail: mail@midlandradio.com
URL: www.midlandradio.com**




2-Way Radios


Weather Radios


Bluetooth Headsets


HD Wearable Cameras


Marine Radios


Emergency Crank Radios


CB Radios

Check out these and other great products @
www.midlandradio.com

ACCESSORIES

Accessories can be purchased at www.midlandradio.com or fill in the form on the following page and mail it to our address.

AVP-1



- 2 Over the Ear Mic. Headsets
w/ PTT

- **\$19.99**

AVP-H1



- 1 Open Face Helmet
Microphone Kit

- **\$49.99**

AVP-H2



- 1 Closed Face Helmet
Microphone Kit

- **\$49.99**

AVP-H3



- 2 Surveillance Headset

- **\$39.99**

AVP-H4



- 2 Ear Wrap Headset

- **\$39.99**

AVP-H5



- 2 Behind the Head Headset

- **\$39.99**

AVP-H7



- 2 Mossy Oak Around the Ear Headsets with Boom Mic

- **\$39.99**

AVP-H8



- 1 Action Throat Mic with Acoustic Ear Tube

- **\$39.99**

TACTICAL HEADSETS

TH1



- Earphone Mic with Boom

- **\$39.99**

TH2



- Tactical Action Boom Mic with Tactical PTT

- **\$99.99**

TH3



- Earphone Mic with PTT

- **\$29.99**

TH4



- Action Throat Mic with Tactical PTT and Pneumatic Earphone

- **\$109.99**

Model GXT5000 Series



ACCESSORIES ORDER FORM

Please send Money Order or fill in Visa/MasterCard information and mail to the address below. Please **DO NOT** send cash or checks. Make Money Order to Midland Radio Corporation.

Name: _____

Address: _____

City: _____ **State** _____ **Zip Code** _____

Tel: _____ **email:** _____

CC# _____ **Type:** _____ **Exp.** _____

Qty	Item	Price	Total
	AVP-1	\$19.99	
	AVP-H1	\$49.99	
	AVP-H2	\$49.99	
	AVP-H3	\$39.99	
	AVP-H4	\$39.99	
	AVP-H5	\$39.99	
	AVP-H7	\$39.99	
	AVP-H8	\$39.99	
	TH1	\$39.99	
	TH2	\$99.99	
	TH3	\$29.99	
	TH4	\$109.99	

Mail To:
 Midland Radio Corporation
 Consumer Dept.
 5900 Parretta Drive
 Kansas City, MO 64120

 Or Call 816.241.8500.

 To order online go to
www.midlandradio.com

Sub-Total _____

Tax (MO, CO, IL, FL only) _____

S & H _____ \$14.95

(Applies to Domestic U.S. only.
For Hawaii, Alaska, and Puerto Rico S&H will be \$36.25 for 1lb and \$64.25 for 2lbs or more).

Total \$ _____

Model GXT5000 Series

